

EDK82ZPExx
13282846



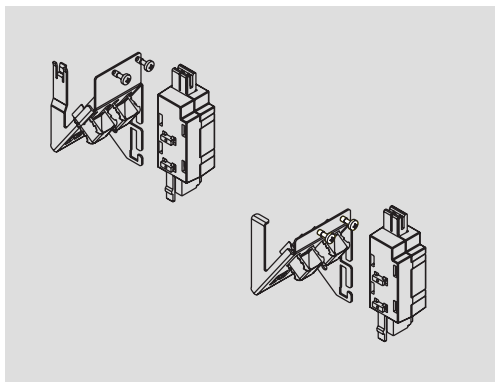
Global Drive

Montageanleitung

Mounting Instructions

Instructions de montage

8200 vector



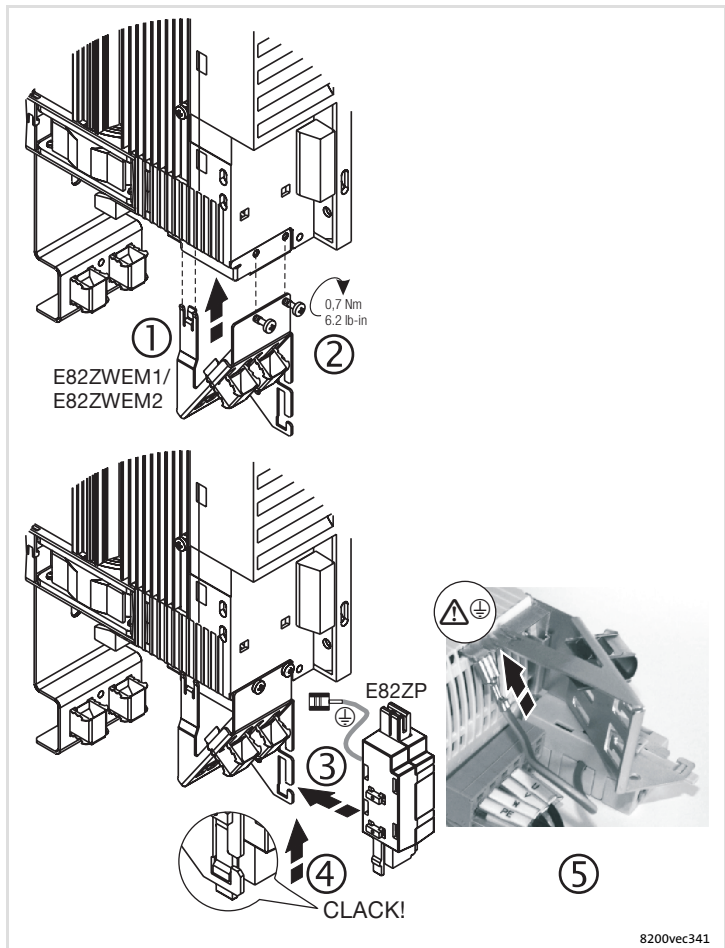
E82ZPE1, E82ZPE2, E82ZPE3

PTC-Kit

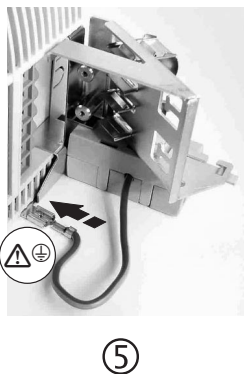
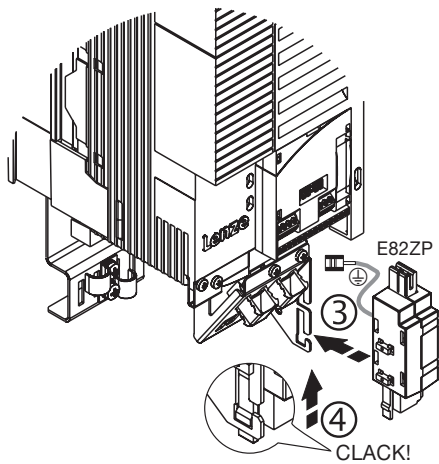
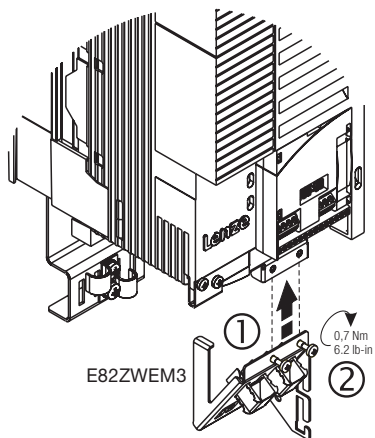
PTC kit

Kit PTC

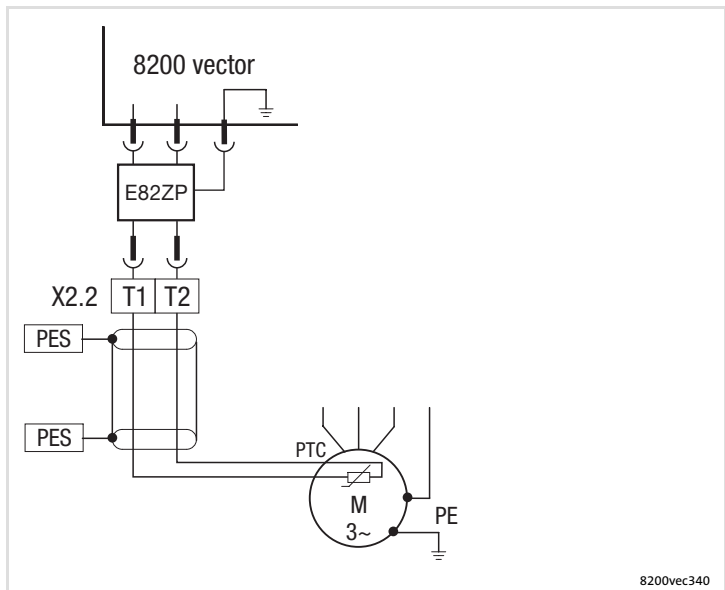
Lenze



8200vec341



8200vec342



© 06/2010



Lenze Automation GmbH
Hans-Lenze-Str. 1
D-31855 Aerzen
Germany



+49 (0)51 54 / 82-0



+49 (0)51 54 / 82 - 28 00



Lenze@Lenze.de



www.Lenze.com

Service Lenze Service GmbH
Breslauer Straße 3
D-32699 Extertal
Germany



00 80 00 / 24 4 68 77 (24 h helpline)



+49 (0)51 54 / 82-11 12



Service@Lenze.de

EDK82ZPExx ■ 13282846 ■ DE/EN/FR ■ 2.1 ■ TD15

10 9 8 7 6 5 4 3 2 1